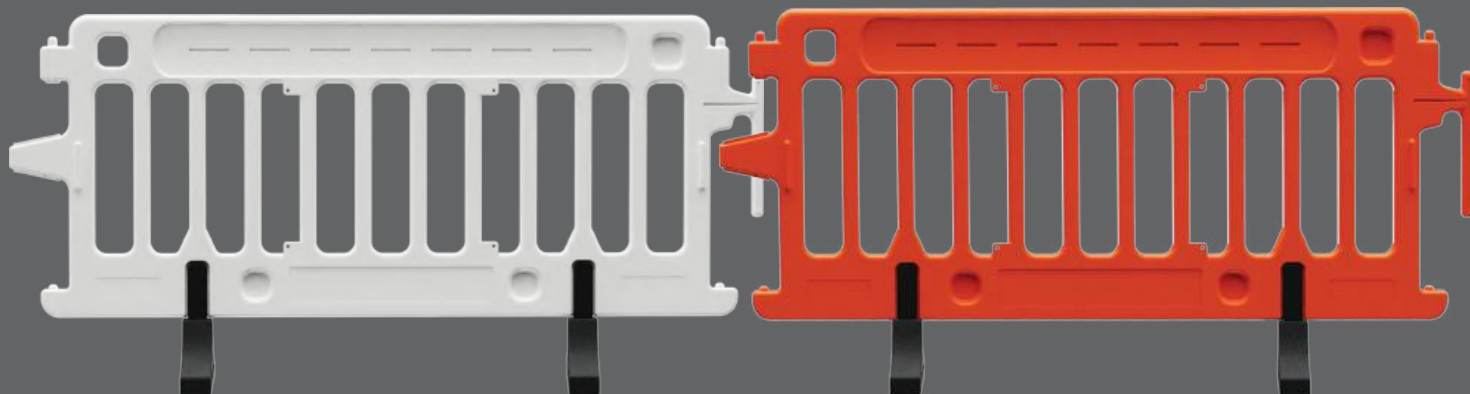


# CROWDCADE™

## Crowd Control Parade Barricade



### 6' durable plastic barricade with strong plastic legs and rubber feet

- Sturdy, and durable - thick, double wall panel
- Feet won't break off from panel
  - stable, recycled rubber feet, securely attached to panel
- Easy stacking, no tangling of feet
  - feet rotate flat for stacking
  - molded-in lugs keep units from sliding when stacked
- Tamper resistant linking bracket
  - prevent in-line barricades from being pulled apart
- Linking bracket accommodates various configurations
  - units pivot on bracket and adjust to uneven ground
- Holes for bolting on signs (one side)
- Panels on both sides for retroreflective sheeting
- Available in orange and white
  - custom colors with minimum order quantity
- Made in the U.S.A.



**PLASTICADE®**

Plasticade.com

TF045 Rev. 4

# CROWDCADE™



connected unlocked



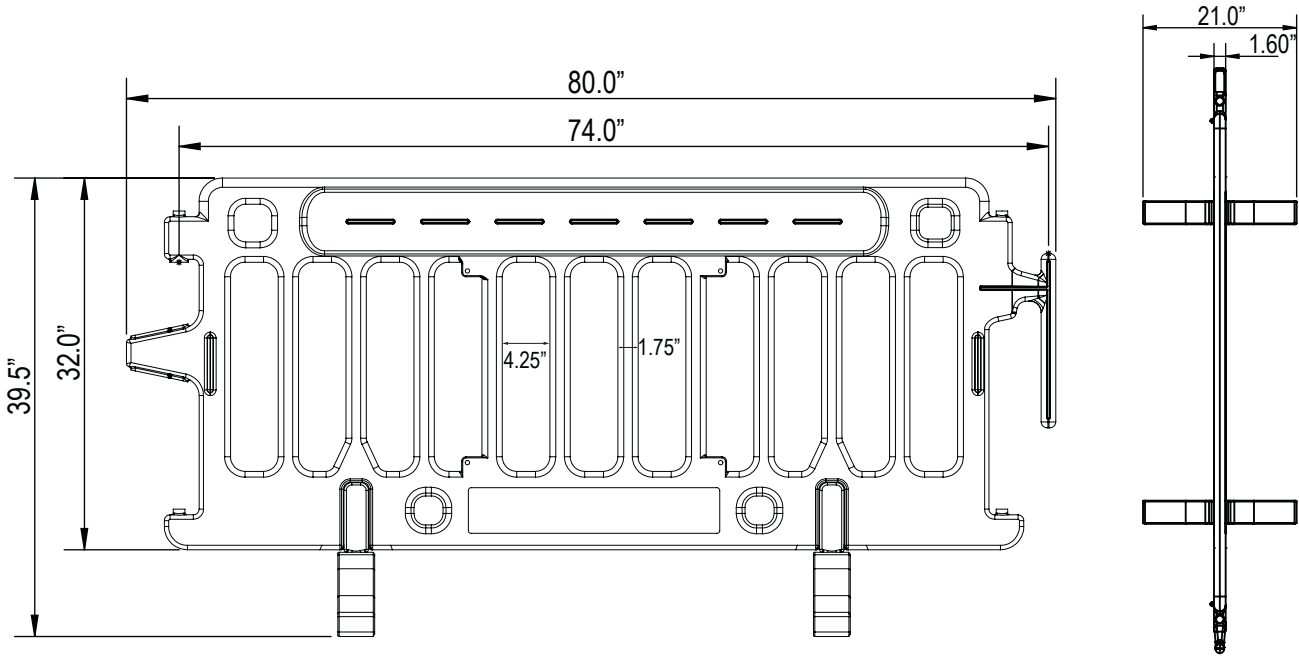
connected locked



feet rotate for stacking

## Specs: Crowdcade™

Composition	Polyethylene
Weight	32 lbs. with feet Feet weigh 9.5lbs. ea.
Length	74"
Height	39.5"
Connected length	6'
Colors	Orange & White
Sheeting Area	5.5" x 51"
Retroreflective Sheeting	Striped sheeting in engineer grade or high intensity prismatic grade
Sign size	24"W x 18"H or larger



## PLASTICADE®

100 Howard Avenue  
Des Plaines, IL 60018  
phone (800) 772-0355  
info@plasticade.com  
[Plasticade.com](http://Plasticade.com)