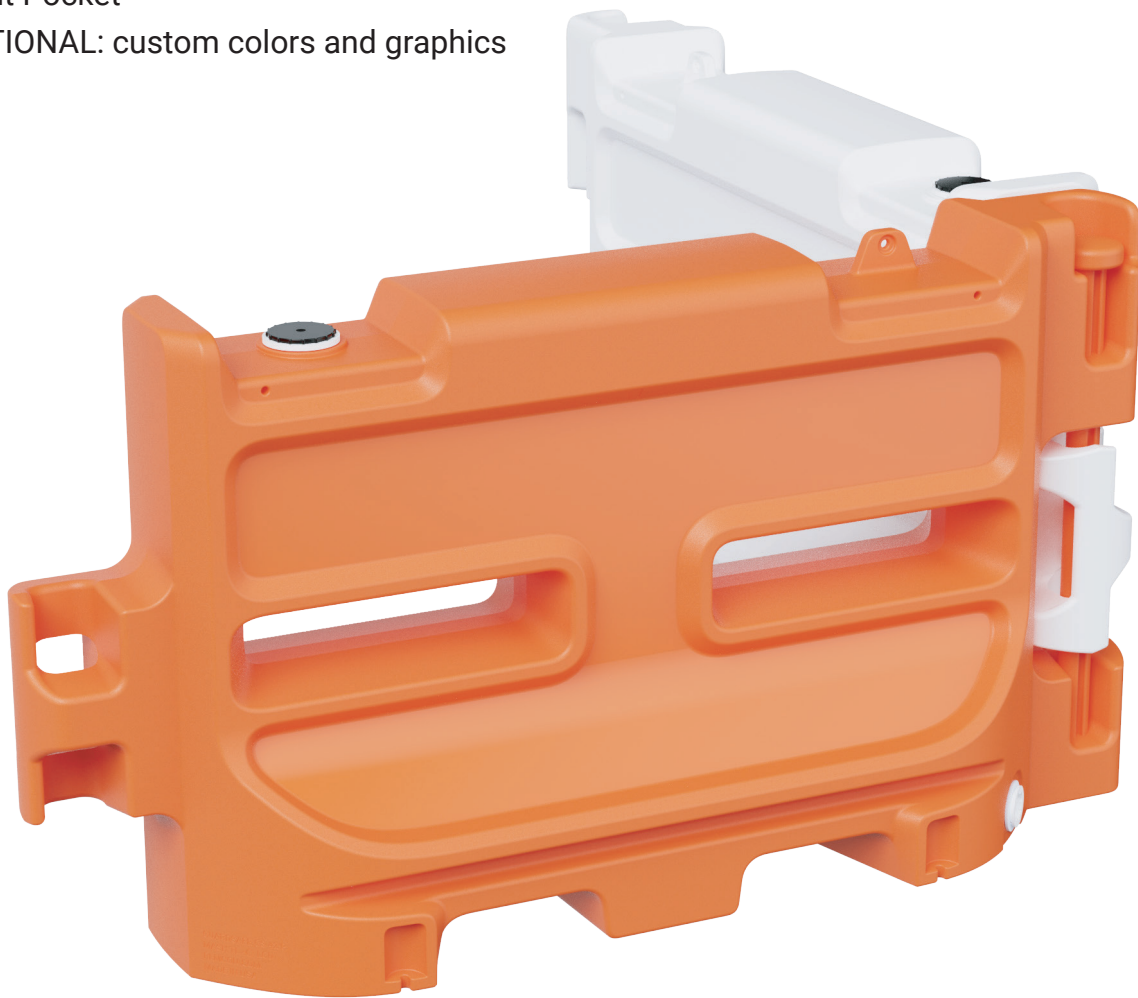


# GS42P

## GUARDSAFE® 42P BARRICADE

### OVERVIEW

- Meets MASH TL-2 Criteria - pending FHWA eligibility\*
- Water-Filled Longitudinal Channelizing Device
- Threaded 3" Fill Port and two 2" drains at bottom
- Connect and Rotate 90 degrees using Pins
- Accepts Rolled Fence and/or Fence Panels
- 2 Forklift Pockets at Base
- Light Pocket
- OPTIONAL: custom colors and graphics

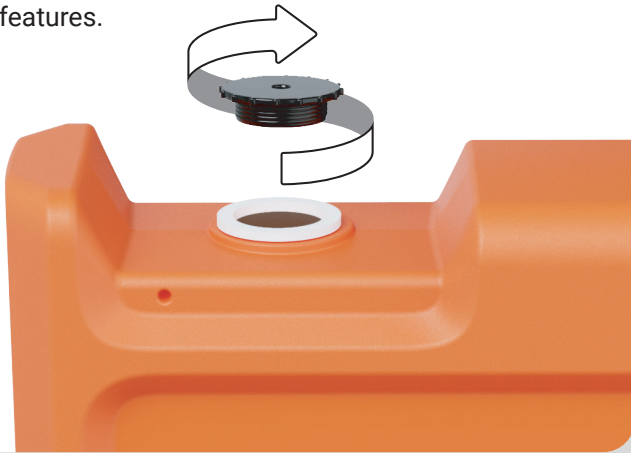


PRODUCT DESCRIPTION	LENGTH IN	WIDTH IN	HEIGHT IN	WEIGHT lbs
GUARDSAFE 42P LCD	72	24	42	90

INCHES OF WATER	U.S. LBS	U.S. GALLONS	CUBIC FEET
15	547.2	65.8	8.8
12	467.8	56.3	7.5
9	356.4	42.9	5.7
6	215.4	25.9	3.5
3	85.6	10.3	1.4

### FILL PORT

3" threaded cap with grip features.

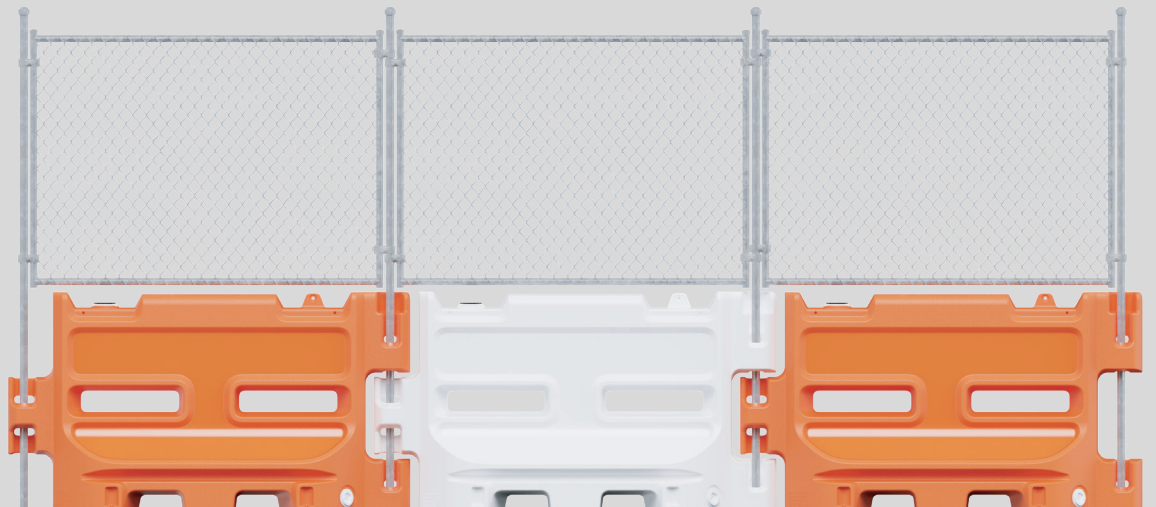


### DRAIN PLUG

1 per side. Safe drainage away from traffic. 2" threaded cap. Requires 2" Bung Wrench to remove.

### FENCING

Barricades accept fencing at the hinge point, providing same articulation that the pins allow.



\*GS42P with fencing has not been MASH tested.