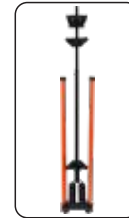


# SafeZone Series

## Safety Products for Temporary Traffic Control



### Model SZ-412-2S Dual Spring Rigid Stand



#### **Dual Spring**

These specially designed heavy-duty springs will give you years of use without developing any memory or sag.

#### **Crash Test Proven Dual Breakaway System**

The SZ-412-2S's breakaway base is the first of its kind. The revolutionary breakaway base can be hit from any direction.

#### **Visibility**

The SZ-412-2S sign stand holds rigid or roll-up signs 12" above the surface. This stand is MUTCD compliance and MASH approved.

#### **Safety**

Bright orange, powder coated legs allow the SZ-412-2S sign stand to be seen from highways to city sidewalks.

#### **Maximum Stability:**

The design features include three adjustable leg position for precise leveling, ensuring optimal stability and visibility on both even and uneven terrain. For best wind resistance legs must be fully extended.

The SZ-412-2S meets MASH crashworthiness guidelines

**BONE SAFETY SIGNS** • 6450 Industrial Way • Alpharetta GA, 30004  
Toll Free: (800) 873-2399 • Phone: (770) 333-1635 • Fax: (770) 333-1639  
E-mail: sales@bonesafety.com • Web: bonesafety.com

JAN 2025

# SafeZone Series

## Safety Products for Temporary Traffic Control



### FEATURES



#### Easy Storage

Measuring 8.25" x 11.5" x 58" when folded for storage, the SZ-12-2S specially engineered to weight only 44 lbs. when rigid mast and both sign brackets are attached.

#### Pull Pin/Step Release Levers

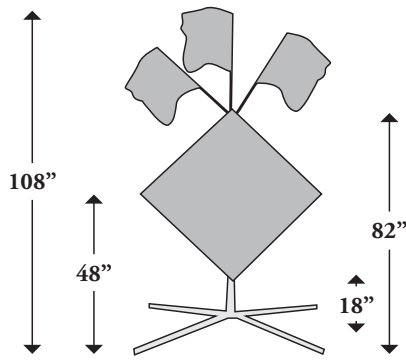
The dual pull pin/step release lever allows each leg to be deployed by either pulling the pin by hand or by stepping on the step release at the user's option. Pull-pins also have oversized heads to make them easier to use with gloved hands, particularly in cold or winter conditions.

#### Nut and Bolt Construction

Replacement parts kits are available. Simple nut and bolt construction allow for fast repairs. They can be replaced easily in the field, using simple hand tools!

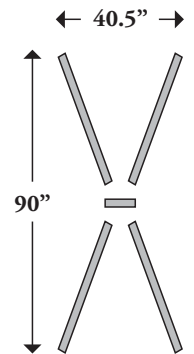


### DIMENSIONS



Shown with optional flag assembly  
SZ-412-2S Overall Dimensions  
(in the first position)

| Folding Dimensions: |                                  |
|---------------------|----------------------------------|
| Height:             | 58"                              |
| Weight:             | 41 lbs.<br>44 lbs. w/Rigid BRKT. |
| Area:               | 8.25" x 11.5" x 58"              |
| Storage:            | 3.18 Cubic Ft.                   |



SZ-412-2S Footprint  
(in the first position)

### ACCESSORIES

#### ROLL-UP BRKT



#### FLAGS



#### TRI-BRKT



# SafeZone Series

## Safety Products for Temporary Traffic Control



## Model SZ-412-2S

### Specification

### Features:

- Easy storage
- Dual coil spring design
- Both pull pin and step release of legs
- 3 separate height adjustments for uneven terrain
- Bright orange colored legs for extra visibility on curbs and sidewalks
- Outdoor UV powder-coated and zinc plated for maximum corrosion resistance
- Weight 41 lbs. 44 lbs. w/Rigid BRKT.

### Specification:

The sign stand shall be designed to attach rigid sign and roll up signs with a minimum bottom height of 12" This product has been independently tested and certified for use as a temporary traffic control device as specified under MASH guidelines. All sign stands shall be manufactured from steel component parts which have been powder-coated and clear zinc-plated to minimize corrosion and have a minimum wall thickness of 0.059 inches. The sign stand shall be designed using basic nut & bolt construction, so that all component parts may be readily replaced if worn or damaged. The sign stand shall incorporate dual coil springs to allow the mast with the sign to flex and bend in windy conditions.

The sign stand shall allow wind spillage on the sign face from any direction and be capable of withstanding wind gusts of up to 70 m.p.h. without requiring additional ballast or tie downs. The sign stand shall come with rigid brackets.

The legs of the sign stand shall be independently adjustable as well as multi-positional to accommodate uneven terrain or placement on curbs. Legs must have three independent adjustments for bottom height with a minimum 12" bottom height in the first position. Legs shall have both a pull-pin and step release mechanism for releasing the legs. Pull-pins shall have oversized heads to allow for gloved hands in winter environments. The sign stand shall measure 8.25"x 11.5"x 58" when folded for storage and have a total weight of 44 lbs.

# SafeZone Series

## Safety Products for Temporary Traffic Control



### EXPLODED VIEW SZ-412-2S

- 1 Stand Base Assembly
- 2 Spring Pack Assembly
- 3 Outer Mast Assembly
- 4 Inner Mast Assembly
- 5 Sign Bracket Assembly
- 6 Flag Bracket Assembly
- 7 Leg Assembly

